

Colamark



A205 Vial Labeling System

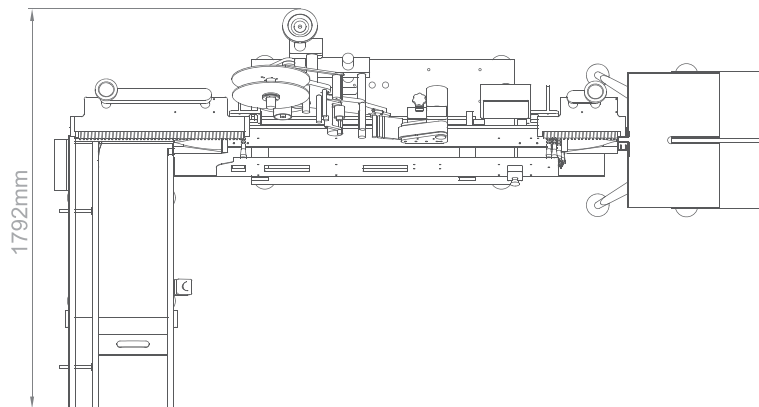
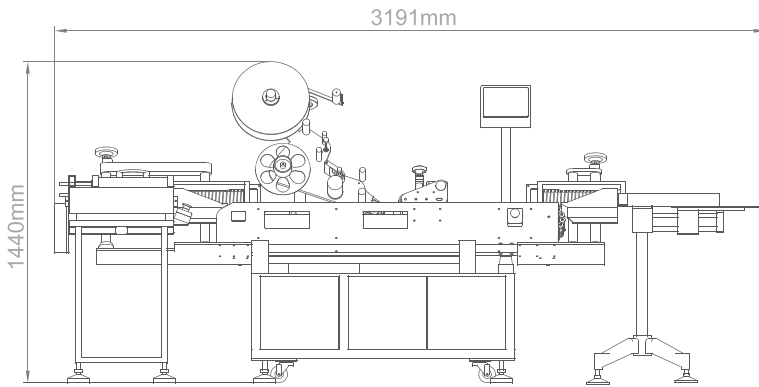
Designed for high speed wrap around labeling on vials.

Vertical-in, vertical-out, tray-to-tray material handling operation provides extra convenience and ergonomic comfort at the packaging line.

Full mechanical synchronization at material entry and exit ensures smooth and high speed material movement throughout.

High speed hot stamping coder allows synchronized coding and labeling at up to 550 bpm.





Features

- Vertical-in, vertical-out, tray-to-tray operation
- Timing worms feed and discharge bottles with gradually guided side turning of bottles to cope with the horizontal main conveyor. 100% synchronized transition of bottles at the entry and exit points of the main conveyor allow smooth running of materials without pressure and impacts at very high speed.
- Side-tilting main conveyor to ensure consistent guiding, and avoid up-tilting of bottles caused by liquid migrated to the top inside the bottles.
- Swing-open wrap-around belt to allow easy cleaning of the wrapping region.
- Clear-observation windows allow viewing the inside of the main conveyor to facilitate identifying possible trapped items.
- Various inspection options for no-code, wrong code, no label, wrong label, and mis-aligned label with accurate rejection of defective items even at high running speed.
- Optional high speed hot-stamping coder to match with the machine operation.
- Optional high speed tray inserter for the bottles allows inline automatic insertion of the labeled bottles to the inner packing trays for subsequent cartoning.
- Stand-alone use or inline use.

Machine Model	A205
Bottle type & size	1~20ml Ampoule; 7~20ml Vials, test tube
Capacity	Ampoule, Vials: 550 pcs./min
Precision	±0.5mm (not including errors from materials or labels)
Machine dimensions	(L)3,191mm × (W)1,792mm × (H)1,440mm
Electricity & power	220V 50Hz 1.12kW

(Custom engineered solutions are available to cater for customer's special needs.)

For continuous improvement on design and product innovations, all specification data are subject to change without prior notice

Colamark (Guangzhou) Labeling Equipment Limited

19 Jin Xiu Road, GETDD, Guangzhou, China

Tel: +86 20 8221 6718 Fax: +86 20 8221 5799 PC:510730

Colamark Technologies Limited 820 Topsail Plaza,11 On Sum Street,Shatin, Hong Kong

Tel: +852 2634 8011 Fax: +852 8161 3311 Email: info@colamark.com Web: www.colamark.com

|HongKong | Guangzhou | Kunming Chengdu | Wuhan | Chongqing | Xian | Shanghai | Qingdao | Beijing | Shenyang | Harbin|